



Industry Standards

UL 508, Types 12 & 13
CSA Certified, Type 12
NEMA/EEMAC Types 12 & 13
JIC EL-1-71

 UL Files E64791

 CSA File LL66078

FEATURES-SPECIFICATIONS

Applications

Designed to house the following:

- **Allen-Bradley** Bulletin 1494V disconnect switches with flange-mounted variable depth operating mechanisms and Bulletin 1494V flange-mounted variable depth operating mechanisms for circuit breakers

These enclosures will not accept Allen-Bradley Bulletin 1494F disconnect devices or Bulletin 1494D circuit breaker operators.

- **ABB Controls** flange-mounted variable depth operating mechanisms for disconnect switches and circuit breakers
- **Cutler-Hammer/Westinghouse** Type C361 flange-mounted variable depth operating mechanisms with disconnect switches and Type C371 flange-mounted variable depth operating mechanisms for circuit breakers. Also Flex Shaft™ handle mechanisms for circuit breakers
- **General Electric** Type STDA flange handles and variable depth operating mechanisms for disconnect switches and circuit breakers. Also Spectra Flex™ cable operators for circuit breakers
- **I-T-E** Max-Flex flange-mounted variable depth operating handle for disconnect switches and circuit breakers as well as some fixed depth operators for disconnect switches
- **Square D** Class 9422 disconnect switches with flange-mounted variable depth operating mechanisms or cable

mechanisms and Class 9422 flange-mounted variable depth operating mechanisms or cable mechanisms for circuit breakers.

These enclosures will not accept Square D Class 9422 bracket-mounted disconnect devices, Class 9422TGI, or TG2 devices

Construction

- Bodies and doors fabricated from 14 gauge steel
- Plasma welded seams
- Rolled lip around all sides of enclosure opening excludes liquids and contaminants
- Doors easily removed by pulling continuous hinge pin
- Polyurethane poured-in-place gasket
- External mounting feet
- Collar studs for mounting **optional** back panel
- Ground stud located in door
- Holes are provided in body and door for mounting operating handle, operating mechanism, and door closing mechanism
- Guide brackets and interlock door catch are welded to the inside of door
- A cover latch bar is also included for door hardware
- Print pocket is provided
- Enclosures under 40" high require 2-point door hardware
- Enclosures 40" high and larger require 3-point door hardware

- Instructions to locate and install disconnect switches, circuit breakers, and operating mechanisms is provided
- Enclosures available with or without padlocking, defeater handle and latching system

Finish

- ANSI 61 gray polyester powder inside and out over phosphatized surfaces
- **Optional** back panels are white polyester powder over phosphatized surfaces

Accessories

- Back panels (reference tables)
- See pages J1-J19
- Blank Adapter Plates on pages F57 and J12

IMPORTANT

- Disconnect switch or circuit breakers, operating handle, operating mechanism, and door hardware are not furnished with enclosure and must be ordered separately from the disconnect manufacturer
- Operator adapter plates are not required with this enclosure
- Disconnect and door hardware ordering information is located on page F5 in Engineering Catalog
- Review space occupied by disconnect drawing on page F4 and disconnect tables on pages F9-F15 to determine if the disconnect device you are using will fit the enclosure size you have selected
- Handle and latching hardware on models ending in "PL"

SDN12 SERIES ENCLOSURES NEMA 12 FLANGED SINGLE DOOR DISCONNECT

NEW PRODUCT

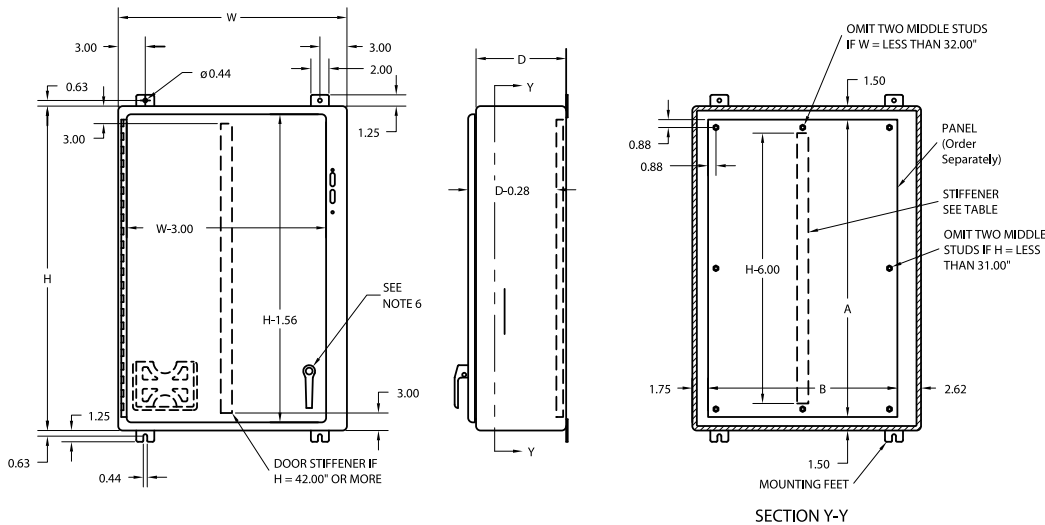
SDN12 SERIES WALL-MOUNT DISCONNECTS								
CATALOG NUMBER		BODY/DOOR STEEL GAUGE	ENCLOSURE SIZE H X W X D	BACK PANEL CAT. NO.*	BACK PANEL SIZE A X B	STIFFENER		
WITH HANDLE	WITHOUT HANDLE					DOOR	BODY	
SDN12202108PL	SDN12202108	14/14	20.00x21.38x8.13 (508x543x206)	NP2020	17.00x17.00 (432x432)	No	No	
SDN12242108PL	SDN12242108	14/14	24.00x21.38x8.13 (610x543x206)	NP2420	21.00x17.00 (533x432)	No	No	
SDN12242508PL	SDN12242508	14/14	24.00x25.38x8.13 (610x645x206)	NP2424	21.00x21.00 (533x533)	No	No	
SDN12302108PL	SDN12302108	14/14	30.00x21.38x8.13 (762x543x206)	NP3020	27.00x17.00 (686x432)	No	No	
SDN12302508PL	SDN12302508	14/14	30.00x25.38x8.13 (762x645x206)	NP3024	27.00x21.00 (686x533)	No	No	
SDN12362508PL	SDN12362508	14/14	36.00x25.38x8.13 (914x645x206)	NP3624	33.00x21.00 (838x533)	No	No	
SDN12363108PL	SDN12363108	14/14	36.00x31.38x8.13 (914x797x206)	NP3630	33.00x27.00 (838x686)	No	Yes	
SDN12423208PL	SDN12423208	14/14	42.00x31.38x8.13 (1067x797x206)	NP4230	39.00x27.00 (991x686)	Yes	Yes	
SDN12423708PL	SDN12423708	14/14	42.00x37.38x8.13 (1067x949x206)	NP4236	39.00x33.00 (991x838)	Yes	Yes	
SDN12483708PL***	SDN12483708***	14/14	48.00x37.38x8.13 (1219x949x206)	NP4836	45.00x33.00 (1143x838)	Yes	Yes	
SDN12603808PL***	SDN12603808***	14/14	60.00x37.38x8.13 (1524x949x207)	NP6036	57.00x33.00 (1448x838)	Yes	Yes	
SDN12202110PL	SDN12202110	14/14	20.00x21.38x10.25 (508x543x257)	NP2020	17.00x17.00 (432x432)	No	No	
SDN12242110PL	SDN12242110	14/14	24.00x21.38x10.25 (610x543x257)	NP2420	21.00x17.00 (533x432)	No	No	
SDN12242510PL	SDN12242510	14/14	24.00x25.38x10.25 (610x645x257)	NP2424	21.00x21.00 (533x533)	No	No	
SDN12302110PL	SDN12302110	14/14	30.00x21.38x10.25 (762x543x257)	NP3020	27.00x17.00 (686x432)	No	No	
SDN12302510PL	SDN12302510	14/14	30.00x25.38x10.25 (762x645x257)	NP3024	27.00x21.00 (686x533)	No	No	
SDN12362510PL	SDN12362510	14/14	36.00x25.38x10.25 (914x645x257)	NP3624	33.00x21.00 (838x533)	No	No	
SDN12363110PL	SDN12363110	14/14	36.00x31.38x10.25 (914x797x257)	NP3630	33.00x27.00 (838x686)	No	Yes	
SDN12423110PL	SDN12423110	14/14	42.00x31.38x10.25 (1067x797x257)	NP4230	39.00x27.00 (991x686)	Yes	Yes	
SDN12423710PL	SDN12423710	14/14	42.00x37.38x10.25 (1067x949x257)	NP4236	39.00x33.00 (991x838)	Yes	Yes	
SDN12483710PL***	SDN12483710***	14/14	48.00x37.38x10.25 (1219x949x257)	NP4836	45.00x33.00 (1143x838)	Yes	Yes	
SDN12603710PL***	SDN12603710***	14/14	60.00x37.38x10.25 (1524x949x257)	NP6036	57.00x33.00 (1448x838)	Yes	Yes	
SDN12302612PL	SDN12302612	14/14	30.00x25.38x12.13 (762x645x308)	NP3024	27.00x21.00 (686x533)	No	No	
SDN12363212PL	SDN12363212	14/14	36.00x31.38x12.13 (914x797x308)	NP3630	33.00x27.00 (838x686)	No	Yes	
SDN12423212PL	SDN12423212	14/14	42.00x31.38x12.13 (1067x797x308)	NP4230	39.00x27.00 (991x686)	Yes	Yes	
SDN12423812PL	SDN12423812	14/14	42.00x37.38x12.13 (1067x949x308)	NP4236	39.00x33.00 (991x838)	Yes	Yes	
SDN12483812PL***	SDN12483812***	14/14	48.00x37.38x12.13 (1219x949x308)	NP4836	45.00x33.00 (1143x838)	Yes	Yes	
SDN12603812PL***	—	14/14	60.00x37.38x12.13 (1524x949x308)	NP6036	57.00x33.00 (1448x838)	Yes	Yes	
SDN12603812APL***	SDN12603812A***	14/14	60.00x37.38x12.13 (1524x949x308)	NP6036	57.00x33.00 (1448x838)	Yes	Yes	
SDN12363116PL	SDN12363116	14/14	36.00x31.38x16.13 (914x797x410)	NP3630	33.00x27.00 (838x686)	No	Yes	
SDN12483816PL***	SDN12483816***	14/14	48.00x37.38x16.13 (1219x949x410)	NP4836	45.00x33.00 (1143x838)	Yes	Yes	
SDN12603816PL***	SDN12603816***	14/14	60.00x37.38x16.13 (1524x949x410)	NP6036	57.00x33.00 (1448x838)	Yes	Yes	

* Back panels must be ordered separately.

** Enclosure catalog number SDN12603812A will receive only 400 amp and 600 amp Allen-Bradley 1494V disconnect switches and I-T-E Siemens 800 amp and 1200 amp circuit breakers. The 400 amp and 600 amp Allen-Bradley disconnect switch will not fit any other size enclosure from the SDN12 family. Blank Adapter plates will not fit catalog number SDN12603812A.

*** Enclosures are supplied with closed cell neoprene gasket (not foam-in-place)

Enclosures 12" and 16" deep can be modified to accept I-T-E Siemens 800 amp and 1200 amp circuit breakers. (When using an I-T-E Siemens circuit breaker and an enclosure with an "H" dimension of 30", 36" or 42", verify the amount of wire bend space required for both the line and load sides.) Consult factory for details.



- Notes:
1. Large print pocket (8" x 10") is provided in each enclosure
 2. Panels are made from 12 Ga. steel
 3. Panels have flanges along all sides when either dimension exceeds 17"
 4. Catalog number SDN12603812A has a larger cutout in the enclosure flange to accommodate the Allen-Bradley 1494V-H2 and I-T-E FHOHN operating handles.
 5. Enclosures under 40" high have 2-point door hardware and enclosures 40" high and larger have 3-point door hardware.
 6. The handle includes a zinc diecast padlocking defeater handle and all latching hardware is installed on disconnect enclosures ending in PL. Order separately for other disconnect enclosures.